

Product Summary

The MotionViewer IMV 200/601/701 is a wireless, indoor motion activated camera designed for use in a Videofied security system. The camera includes the following features:

- > Lithium batteries for long life
- > Color Day / B&W night
- > Wide angle lens
- > Infrared LEDs for night illumination
- > Standard motion coverage lens (30 ft./9 m distance)
- > Dual tamper function provides detection of both wall and cover tamper.
- > Transmits check-in/status signal every 8 minutes



Installation Guidelines

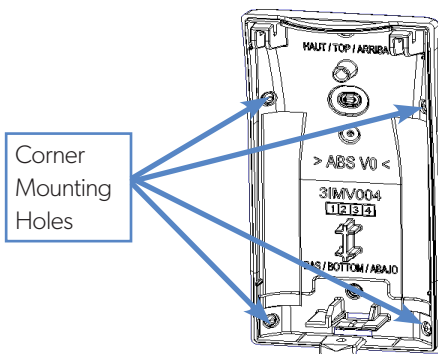
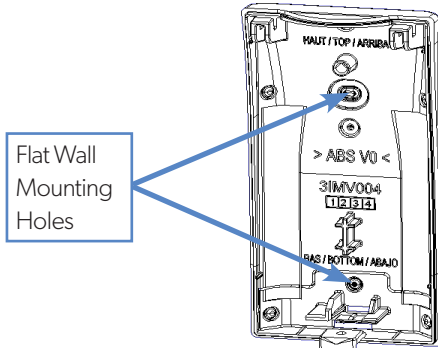
For an easier installation, programming and RF testing should be done to check for good communication between the control panel and all system devices before mounting.

Install the detector and other system devices in the following order:

- > Programming / RF Testing: Program detector and all other devices into the control panel and test RF communication at each intended device location to the control panel.
- > Mounting: Mount detector at the tested location.

Mounting Rules

- > Use proper tools and hardware.
- > Mount indoors in a temperature controlled environment.
- > Mount camera 2.0 to 2.3 m (6.6 to 7.5 ft.) from the floor.
- > Respect Top and Bottom side of the Motion Viewer
- > When possible, mount in a wall corner in order to aim at a complete room
- > Mount detector on an outside wall, aimed at area to protect.
- > Do not aim detector at windows, especially those that let in direct sunlight, or at heat sources such as lamps, fireplaces, radiators, and heating vents.
- > Do not aim detector at moving objects such as curtains, fans or animals.
- > Do not cover the Fresnel lens

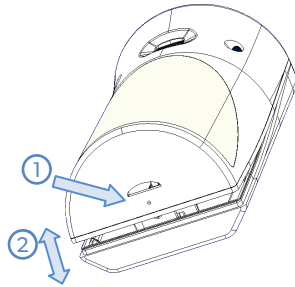


Programming/RF Testing/Mounting

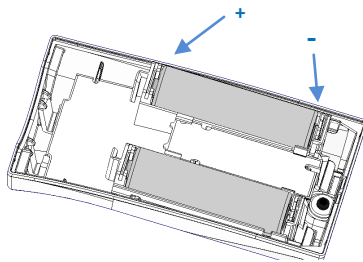
The following provides summarized steps for device programming, testing, and mounting. For complete details, refer to the control panel installation manual.

1 Loosen bottom screw. **①** (if present)

Separate base from IMV. **②**



2 Install 2 SAFT LS14500 3.6v batteries, observing correct polarity.



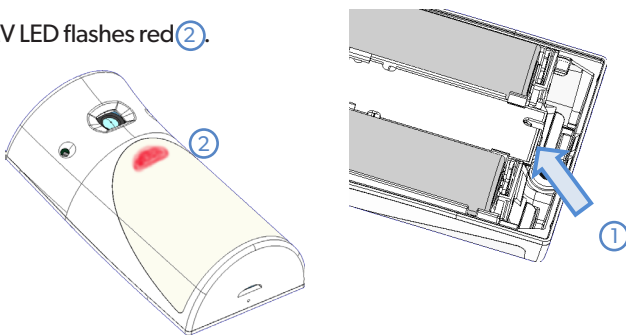
3 Put control panel into programming/configuration mode.

4 Using a programmed alphanumeric keypad, proceed through menus until the display shows ADD A NEW DEVICE.

5 Press Yes. The display shows PRESS PROGRAM BUTTON OF DEVICE.

6 Press and release program button on the IMV using your finger or a screw driver **①**.

The IMV LED flashes red **②**.



7 Press Yes. The display shows RADIO RANGE TEST? Press Yes again. The IMV LED starts flashing and keypad display shows TEST IN PROGRESS.

8 Move the IMV to the intended mounting location and make sure you receive a 5/5 or 9/9 indicating good communication with the control panel.

9 Press YES to end the Radio Range Test, then press ESC/NO.

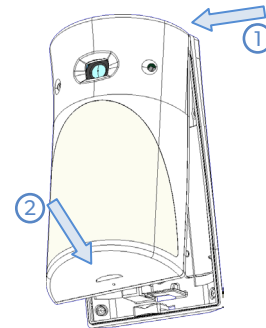
10 The display shows AREA ALLOCATION; AREA: 1. Press either arrow button on the keypad until the desired AREA number appears, then press YES. By default all devices in area 1 will be subject to the entry and exit delays.

11 The display shows NAME + LOCATION:

Enter an appropriate device name (up to 16 characters). The name of the device should describe its intended mounting location or zone. Press YES. The display will show the device number and name for your verification.

12 Mount the IMV on the wall:

- Follow the mounting rules on page 1
- Hold the IMV base against the mounting surface and mark the appropriate mounting holes.
- Drill pilot holes and install anchors where needed.
- Place base on mounting surface so that the pilot holes line up and secure base with appropriate screws.
- Attach camera to base and secure with screw if required.



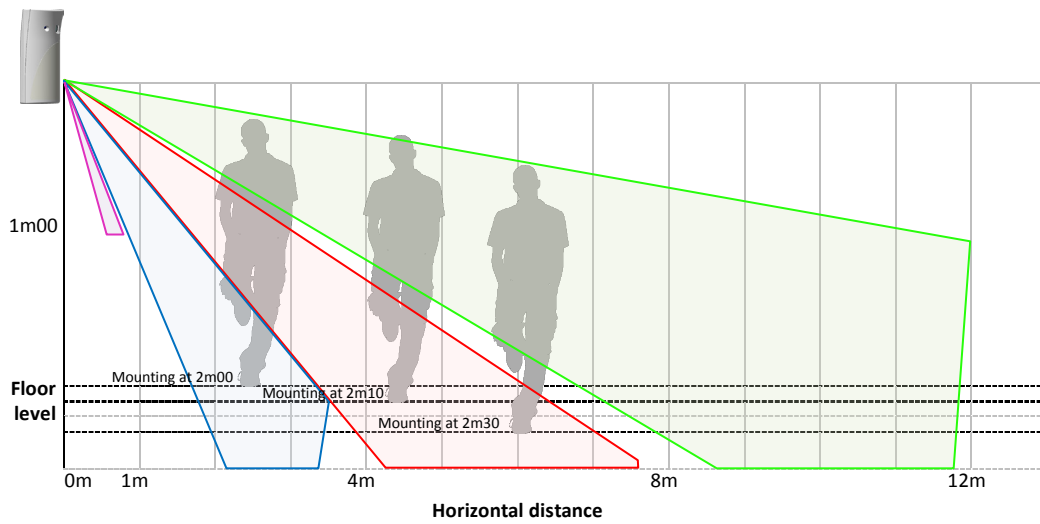
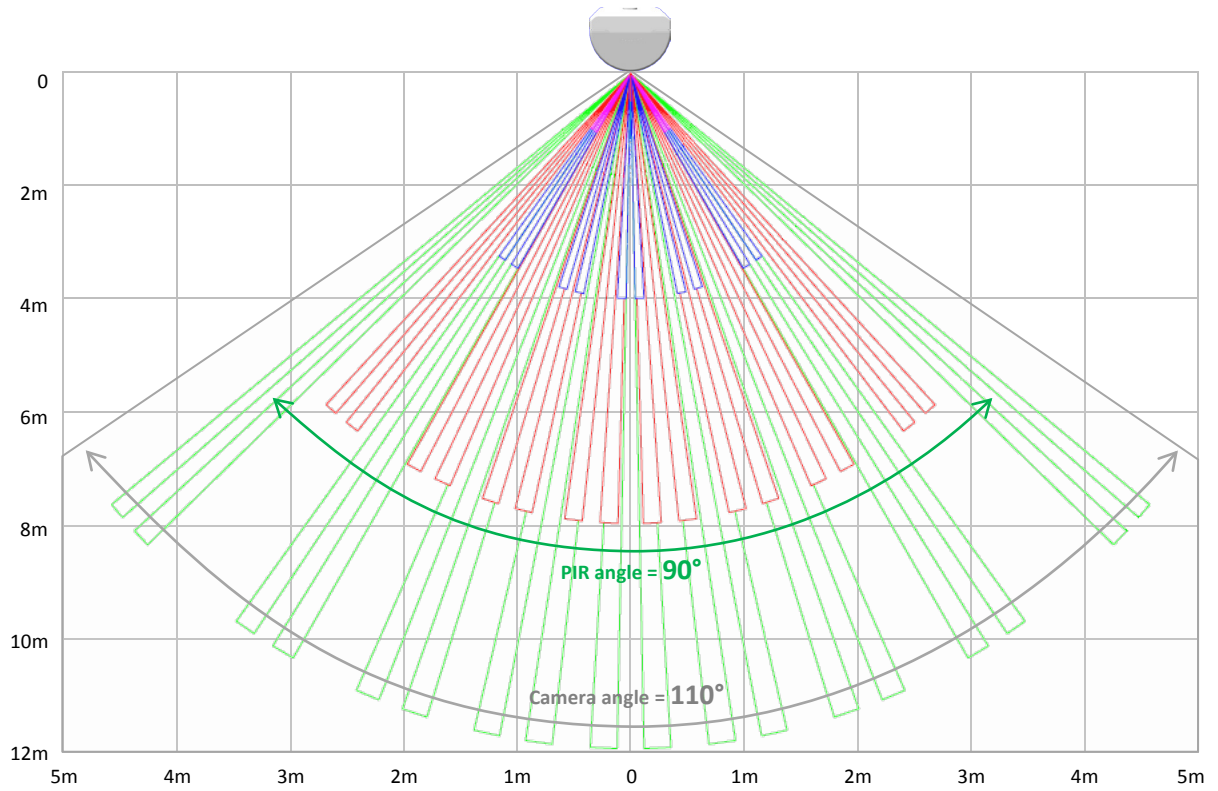
13 Press YES. The display shows FUNCTIONAL DEVICE TEST? Press YES again and verify IMV operation. For example, wave your hand in front of the sensor to activate the LED which indicates detection.

14 Press YES to end the detection verification

15 The display shows ADD A NEW DEVICE? Repeat steps 1-14 for remaining MotionViewers.

16 When finished, exit from configuration mode by pressing and holding the ESC/NO for 5 seconds.

Detection Diagrams



Technical data subject to change without notice

(EN) Security notes / (FR) Notes de sécurité / (DE) Hinweise zur Sicherheit

English	Français	Deutsch
<ul style="list-style-type: none"> > Remove batteries before any maintenance! > WARNING, there is a risk of explosion if a battery is replaced by an incorrect type! > Observe polarity when setting up the batteries! > Do not throw used batteries! Bring them to your installer or a collection point. 	<ul style="list-style-type: none"> > Attention ! Il y a un risque d'explosion si l'une des piles utilisées est remplacée par une pile de type incorrect ! > Respectez la polarité lors de la mise en place des piles ! > Ne jetez pas les piles usagées ! Ramenez-les à votre installateur ou à un point de collecte spécialisé. 	<ul style="list-style-type: none"> > Batterien vor jeglichen Wartungsarbeiten entfernen! > Vorsicht, es besteht Explosionsgefahr, wenn eine Batterie durch eine Batterie falschen Typs ersetzt wird! > Achten Sie beim Einsetzen der Batterien auf die Polung! > Entsorgen Sie Batterien nicht im normalen Haushaltsmüll! Bringen Sie Ihre verbrauchten Batterien zu den öffentlichen Sammelstellen.

FCC Regulatory Information for USA and CANADA

FCC Part 15.21 Changes or modifications made to this equipment not expressly approved by RSI VideoTechnologies may void the FCC authorization to operate this equipment.

FCC Part 15.105 Class B

This equipment has been tested and found to comply with the limits for a Class B digital device, pursuant to Part 15 of the FCC Rules. These limits are designed to provide reasonable protection against harmful interference in a residential installation. This equipment generates, uses and can radiate radio frequency energy and, if not installed and used in accordance with the instructions, may cause harmful interference to radio communications. However, there is no guarantee that interference will not occur in a particular installation. If this equipment does cause harmful interference to radio or television reception, which can be determined by turning the equipment off and on, the user is encouraged to try to correct the interference by one or more of the following measures:

- > Reorient or relocate the receiving antenna.
- > Increase the separation between the equipment and receiver.
- > Connect the equipment into an outlet on a circuit different from that to which the receiver is connected.
- > Consult the dealer or an experienced radio/TV technician for help.

Radio frequency radiation exposure information according 2.1091 / 2.1093 / OET bulletin 65

This equipment complies with FCC radiation exposure limits set forth for an uncontrolled environment. This equipment should be installed and operated with minimum distance of 20 cm between the radiator and your body.

This transmitter must not be co-located or operating in conjunction with any other antenna or transmitter.

This device complies with Part 15 of the FCC Rules and with RSS-210 of Industry Canada.

Operation is subject to the following two conditions:

- 1 This device may not cause harmful interference, and
- 2 This device must accept any interference received, including interference that may cause undesired operation.

Cet appareil est conforme à la Partie 15 des réglementations de la FCC et avec la norme RSS-210 de l'Industrie Canadienne.

Son fonctionnement est soumis aux deux conditions suivantes :

- 1 Cet appareil ne doit pas causer d'interférences nuisibles et
- 2 Cet appareil doit accepter toute interférence reçue, y compris les interférences pouvant entraîner un fonctionnement indésirable.

Properties

Panel Compatibility XL, XLL, Visio, XT, XT-iP, XV, XV-iP, XTO, XTO-iP

Power

Nominal Voltage	3.6V
Low Battery Limit	3V
Battery type	SAFT, AA, Lithium, LS14500
Battery Quantity	2
Battery life (estimated)	Up to 4 years

RF Technology S²View® Bidirectional Radio

Central Frequency 868MHz - IMV200(Europe, South Africa, Asia)	
915MHz - FHSS - IMV601(USA, Canada, South America)	
920MHz - IMV701(Australia, South America)	
Transmission Security	AES Algorithm encryption
Supervision	8min
Antenna	Integrated

Camera

Angle	110°
Sensor Type	CMOS
Daylight Vision	Programmable: Color or B&W
Night Vision	Automatic Infra-red B&W
IR Illumination	Automatic with 2 x IR LEDs
IR Illumination Distance	Up to 7m/23ft

Video

Video Formats	MJPEG-WMV, MJPEG-DIFF
Frequency	5i/s
Video Length	Programmable (Default 10s)
Resolution	QVGA (320x240)
Quality	SQ or HQ
Default File Size	+/- 220Kb

Snapshot

Format	Jpeg
Resolution	QVGA(320x240) or VGA(640x480)
Quality	HQ or SQ
Typical File Size	8Kb

PIR Performance

Detection Angle	90°
Distance	12m/40ft
Sensitivity	Programmable to 5 Predefined Levels

Tamper

Cover and Wall Tamper

Installation / Mounting

Mounting Height 2 to 2.3m / 6.5 to 7.5ft

Mounting on Wall

On Flat Wall With 2 x Screws

In Corner With 4 x Screws

Closing of the Casing Closing by clip or with screw if required
by local legislation

Environmental and Physical Properties

Temperature	-10°/+50°C (+14°/+122°F)
Relative Humidity	90%, non-condensing
IP Level	IP30/IK04
Material	ABS type ULV0 - White
Dimensions	(LxWxD) 98x52x40mm (LxWxD) 3.86x2.05x1.57 Inches
Weight	60gr (2.12oz) (without batteries)

Certifications & Standards**868MHz**

Standards	EN60950-1:2006+/A11:2009+/A1:2010 EN300220-1 V2.4.1 EN300220-2 V2.4.1 NF EN50130-4:1995+/A1:1998+/A2:2003; NF EN50130-5:1998 Classe II NF EN50131-2-2:2009 - Grade 2 NF EN50131-5-3:2005 - Grade 2 NF EN50131-6:2008 Grade 2 -Type C
Certifications	Europe CE / EN50131 Grade 2 Netherlands NCP Singapour IDA South Africa ICASA

915MHz

Certifications	USA FCC Part 15C (FCC47 CFR part15) Canada IC (RSS-210 Issue 8)
-----------------------	--

920MHz

Certifications	Australia C-Tick (AS-NZS4268)
-----------------------	-------------------------------

EMEA SALES

23, avenue du Général Leclerc
92340 BOURG-LA-REINE
FRANCE
E-Mail : emeasales@rsivideotech.com

North American Headquarters

1375 Willow Lake Blvd, Suite 103
Vadnais Heights, MN 55110
USA
E-Mail : usasales@rsivideotech.com

